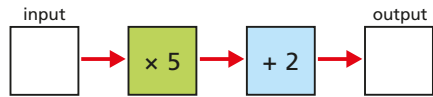


1 Use the function machine to complete the table.



Input	1	2	3	5	10	50
Output						

2 Here is the same function machine with the steps in the reverse order.



Teddy

The outputs will be the same.



Jack

The outputs will be different.

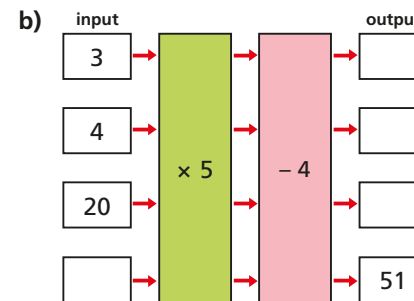
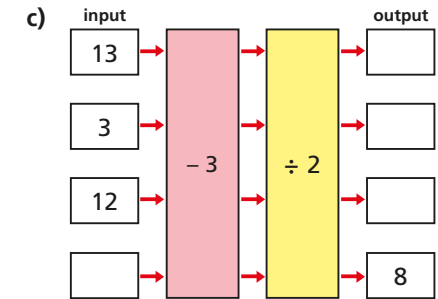
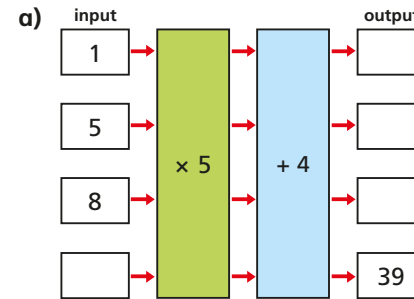
Explain to a partner who you think is correct.

Use the function machine to complete the table.

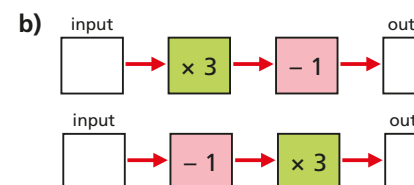
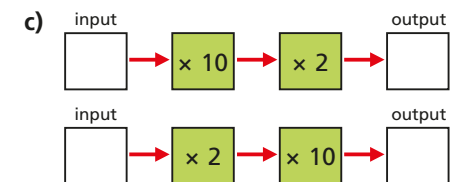
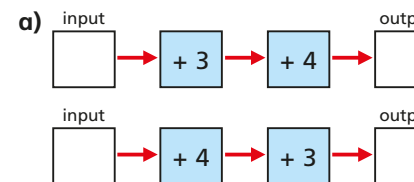
Input	1	2	3	5	10	50
Output						

Who is correct?

3 Work out the missing outputs and inputs.

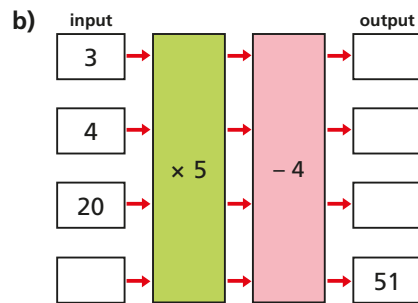
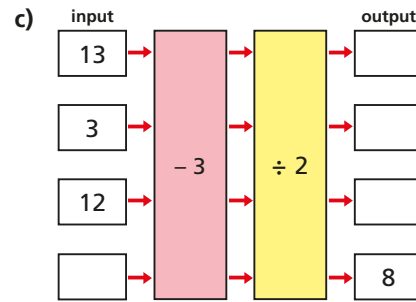
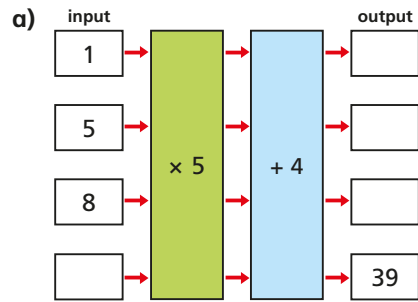


4 Which pair of function machines will give the same outputs for a given input?

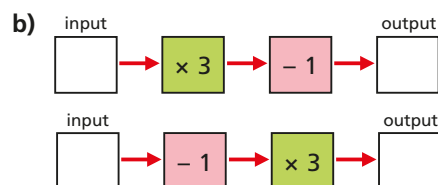
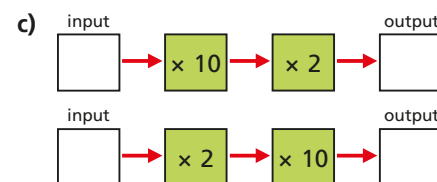
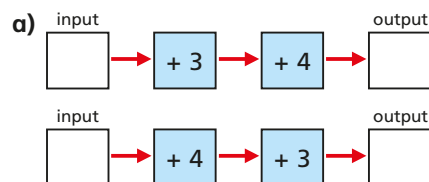


Explain your reasoning to a partner.

3 Work out the missing outputs and inputs.



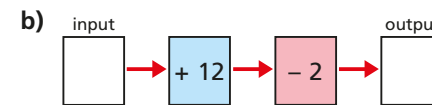
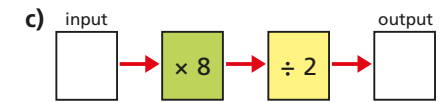
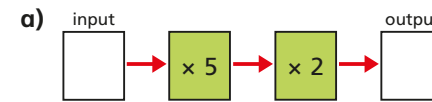
4 Which pair of function machines will give the same outputs for a given input?



Explain your reasoning to a partner.

5 Here are some 2-step function machines.

For each machine, write a single step that would give the same output. Check your answers by inputting values.



Can all 2-step function machines be written as a 1-step function machine? Talk about it with a partner.

6 Here is a function machine.



a) Complete the table.

Input	10	3		
Output			40	280

b) Rosie puts a number into the machine and she gets out the same number.

Work out Rosie's number.

7 Mr Hall and Mrs Rose order some photos online.

a) Mr Hall orders 16 photos.

How much does he pay?

b) Mrs Rose pays £6.05

How many photos did she order?

